

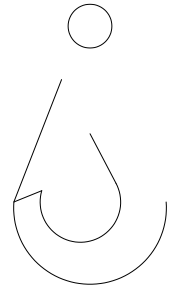
G100

RIGGING

G100 RIGGING



G100 EYE SELFLOCK HOOK G100



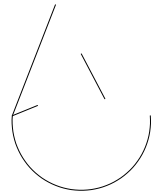
G100

Never exceed Working Load Limit

G100 RIGGING



G100



G100

Never exceed Working Load Limit

Never exceed Working Load Limit

G100 RIGGING

G100 RIGGING



All load pins are 110% individually inspected and 6

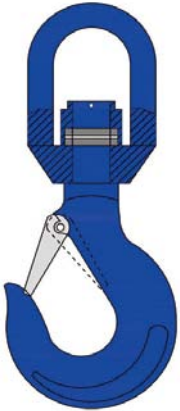
G100 CLEVIS LINK G100



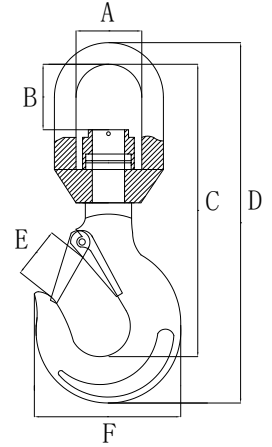
G100 CLAW WITH SHEEP HORN EYE G100

Never exceed Working Load Limit

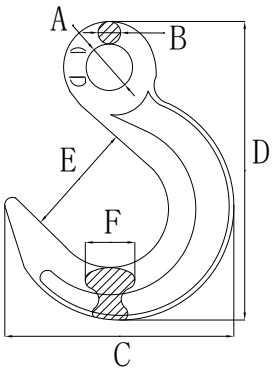
G100 RIGGING



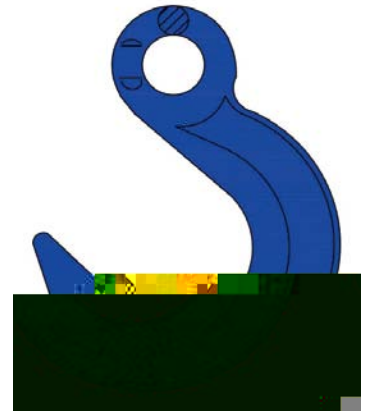
Fatigue tested at 1.5 times Working Load Limit for 20000



G100 SWIVEL HOOK WITH BEARING G100



Fatigue tested at 1.5 times Working Load Limit for 20000

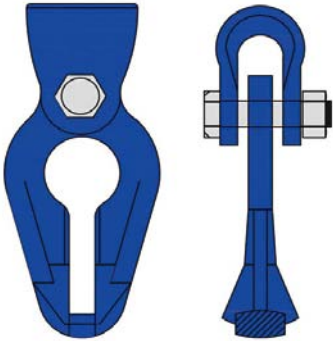


G100

Never exceed Working Load Limit

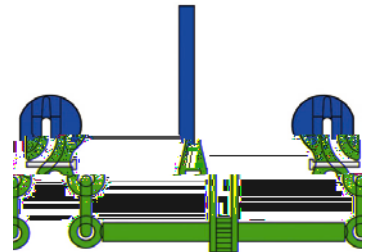


G100 RIGGING



Individually proof test at 2.5 times Working Load
 Fatigue tested at 1.5 times Working Load Limit

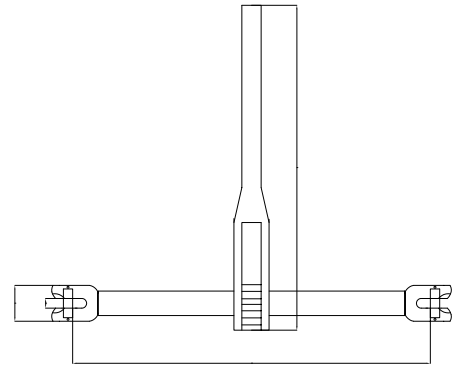
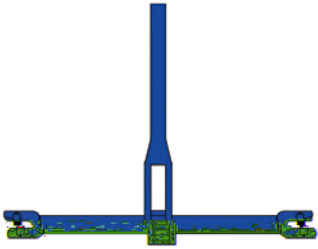
G100 CHAIN-ROPE CONNECTOR G100



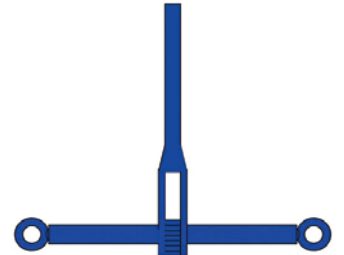
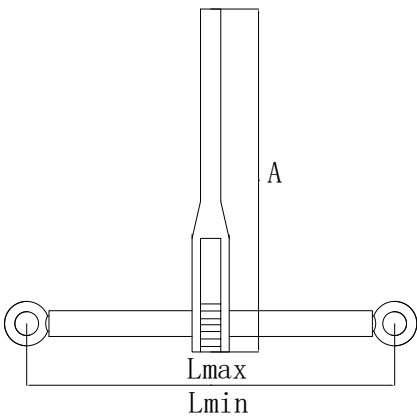
G100

Never exceed Working Load Limit

G100 RIGGING



G100



G100

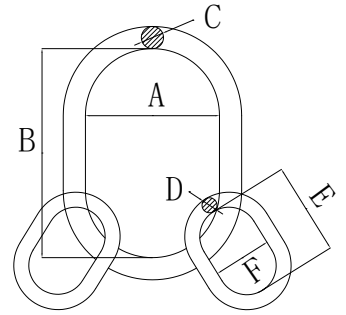
Never exceed Working Load Limit

G100 RIGGING

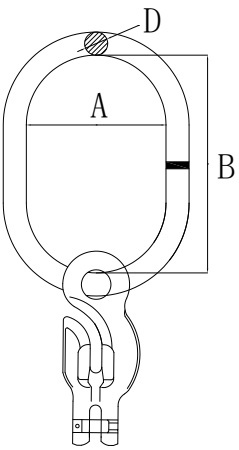


Individually proof test at 2.5 times Working Load

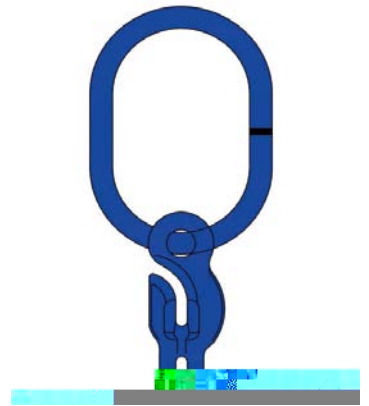
Fatigue tested at 1.5 times Working Load Limit



G100

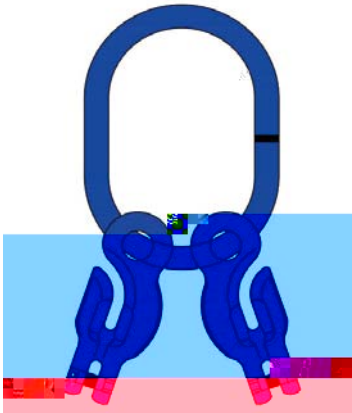


G100



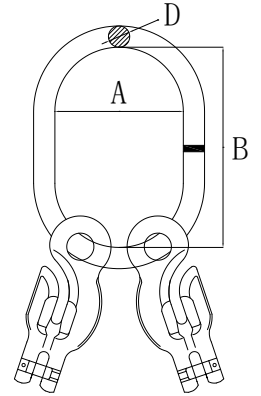
Never exceed Working Load Limit

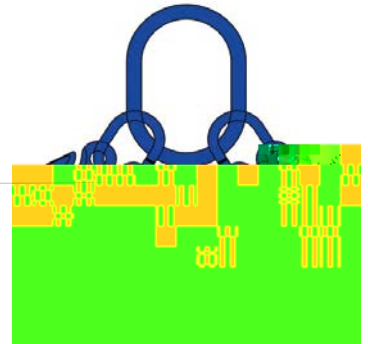
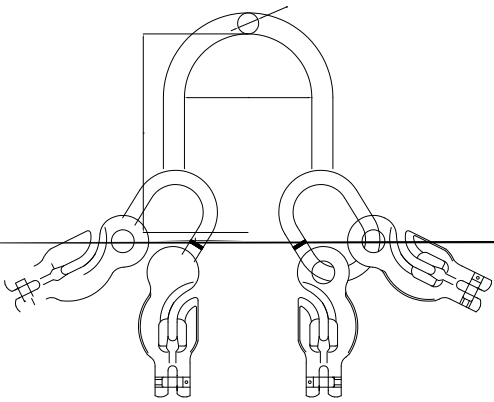
G100 RIGGING



G100

Individually proof test at 2.5 times Working Load Limit.
 Fatigue tested at 1.5 times Working Load Limit for 20000





Never exceed Working Load Limit